

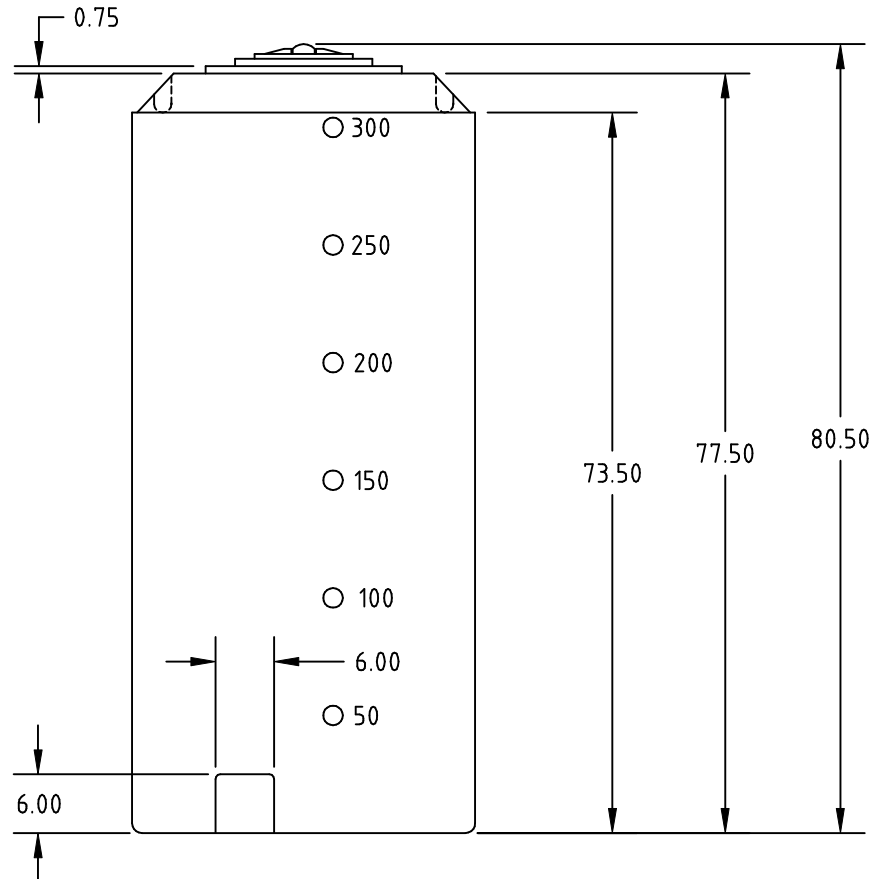
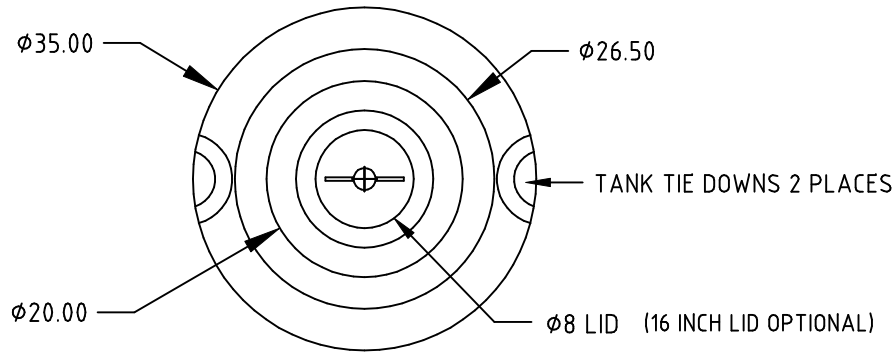
PROPRIETARY DATA

PROPERTY OF ACE ROTO-MOLD MFG., INC. INFORMATION FURNISHED HEREIN IS THE PROPERTY OF ACE ROTO-MOLD MFG., INC. AND SHALL NOT BE USED, DISCLOSED TO OTHERS, OR COPIED WITHOUT THE EXPRESSED WRITTEN CONSENT OF ACE ROTO-MOLD MFG., INC. ALL RIGHTS RESERVED.


VT0300-35

B

B



				DRAWN / DATE	MATERIAL
B	SPECIFIC GRAVITY REMOVED CEN1679	6/16/08	ADH	DHJ 12/10/93	HDPE OR EQUIVALENT REFERENCE MATERIAL DATA SHEET FOR SPECIFIC PROPERTIES.
A	ADDED TIE DOWNS 3-5-03			APPRD. / DATE	
REV	DESCRIPTION	DATE	APPRD	ADH 11/19/07	
ALL DIMENSIONS ARE IN DECIMAL INCHES TOLERANCES UNLESS OTHERWISE SPECIFIED ± 1% @ 68° F				THIRD ANGLE PROJECTION ANSI 14.5M 	NOTES: 1. SHOT WEIGHT 86 LBS. 2. .240 NOM. WALL



ACE ROTO-MOLD

A DIVISION OF DEN HARTOG INDUSTRIES, INC.
 4010 HOSPERS DRIVE SOUTH, BOX 425, HOSPERS, IA 51238

CLIENT / DESCRIPTION	
300 GALLON VERTICAL TANK	
SCALE	PART NO.
N.S.	VT0300-35