

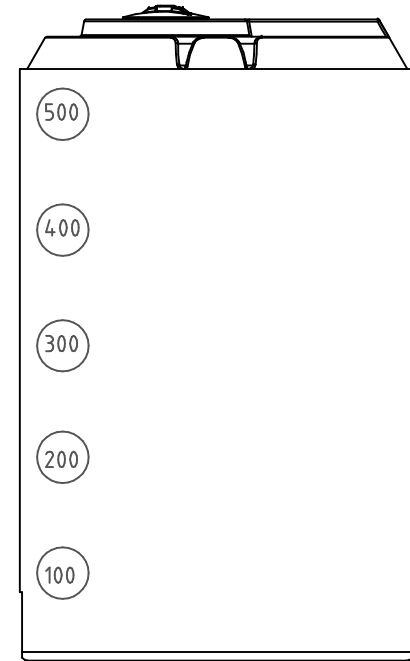
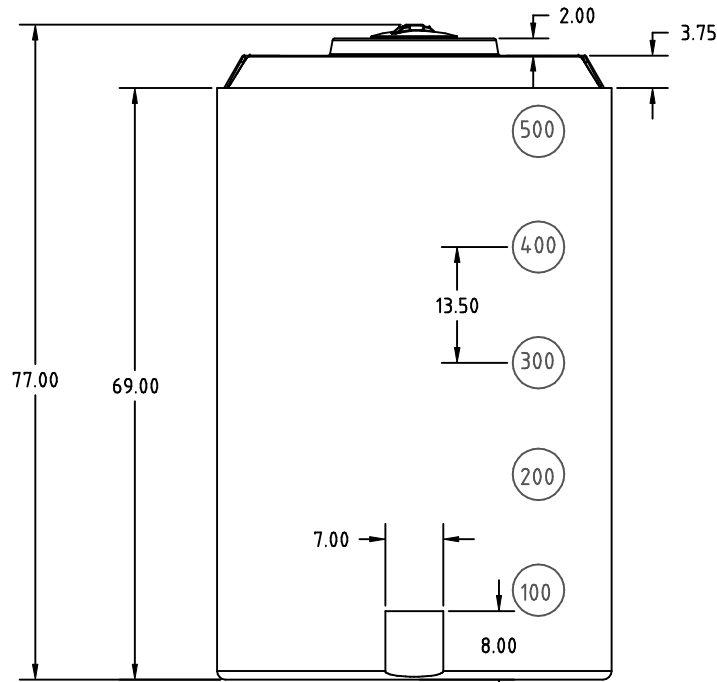
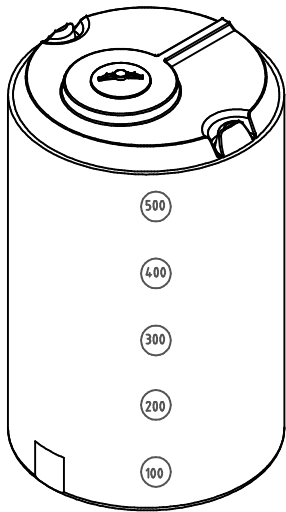
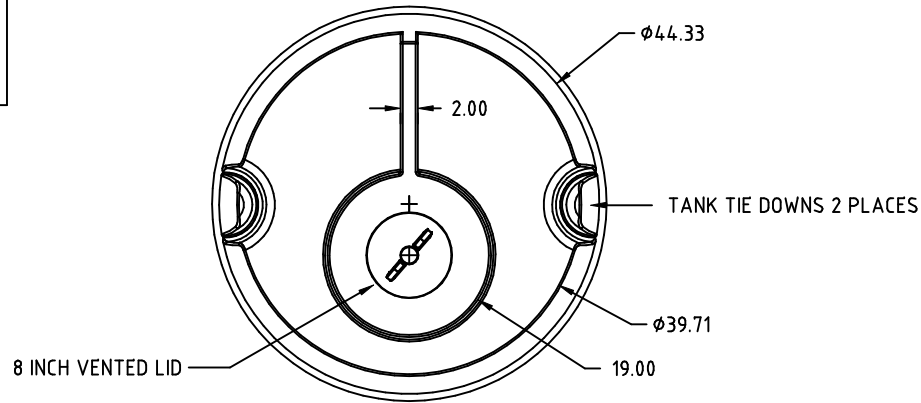
PROPRIETARY DATA

VT0500-46

A

PROPERTY OF ACE ROTO-MOLD MFG., INC. INFORMATION FURNISHED HEREIN IS THE PROPERTY OF ACE ROTO-MOLD MFG., INC. AND SHALL NOT BE USED, DISCLOSED TO OTHERS, OR COPIED WITHOUT THE EXPRESSED WRITTEN CONSENT OF ACE ROTO-MOLD MFG., INC. ALL RIGHTS RESERVED.

Ⓐ



DRAWN / DATE				MATERIAL	
NVE 8/19/05				HDPE OR EQUIVALENT REFERENCE MATERIAL DATA SHEET FOR SPECIFIC PROPERTIES.	
APPRD. / DATE				NOTES:	
DHJ 9/21/05				1. SHOT WEIGHT 118 LBS. 2. NOM. WALL @ .248	
THIRD ANGLE PROJECTION ANSI 14.5M					

**ACE ROTO-MOLD**  
A DIVISION OF DEN HARTOG INDUSTRIES, INC.  
4010 HOSPERS DRIVE SOUTH, BOX 425, HOSPERS, IS 51238

CLIENT / DESCRIPTION	
500 GALLON VERTICAL TANK	
SCALE	PART NO.
N.S.	VT0500-46

ALL DIMENSIONS ARE IN DECIMAL INCHES  
TOLERANCES UNLESS OTHERWISE SPECIFIED  
 $\pm$  1% @ 68° F